

Owner's Manual

Model
BLF50-EU
BLF50-AU

EN

RU

IMPORTANT SAFETY INFORMATION: Always read this manual first before attempting to install or use this fireplace. For your safety, always comply with all warnings and safety instructions contained in this manual to prevent personal injury or property damage.

7212230100R02



Table of Contents

	Welcome & Congratulations	3
	IMPORTANT SAFETY INSTRUCTIONS	4
	Quick Reference Guide	6
	Fireplace Installation	7
	Site Selection	7
	Surface Installation	8
	In-wall Recessed Installation - 100mm Deep	10
	Flush Mounted Installation - 200mm Deep	11
	Front Glass Installation	12
	Operation	14
	Maintenance	16
	Warranty	17

Always use a qualified technician or service agency to repair this fireplace.

! NOTE: Procedures and techniques that are considered important enough to emphasize.

! CAUTION: Procedures and techniques which, if not carefully followed, will result in damage to the equipment.

! WARNING: Procedures and techniques which, if not carefully followed, will expose the user to the risk of fire, serious injury, or death.

Welcome & Congratulations

Thank you and congratulations for choosing to purchase an electric fireplace from Dimplex, the world leader in electric fireplaces.

Please carefully read and save these instructions.

⚠ CAUTION: Read all instructions and warnings carefully before starting installation. Failure to follow these instructions may result in a possible electric shock, fire hazard and will void the warranty.

Please record your model and serial numbers below for future reference: model and serial numbers can be found on the Model and Serial Number Label of your fireplace.



**NO NEED TO RETURN
TO THE STORE**

Questions With the Assembly?

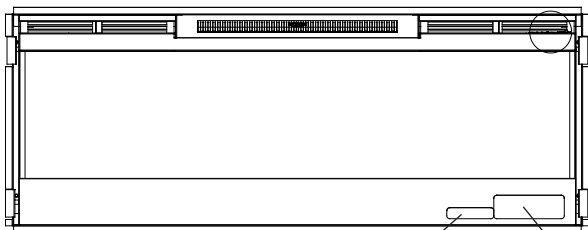
Require Parts Information?

**Product Under Manufacturer's
Warranty?**



Call your local dealer

Please have your model number and product serial number ready. (See below)



Serial Number
Label

Rating Label



IMPORTANT SAFETY INSTRUCTIONS

Read all instructions before using this appliance.


When using electrical appliances, basic precautions should always be followed to reduce the risk of fire, electrical shock and injury to persons, including the following:


1. If the appliance is damaged, check with the supplier before installation and operation.
2. Do not use outdoors.
3. Do not use in the immediate surroundings of a bath, shower or swimming pool.
4. Do not locate the appliance immediately below a fixed socket outlet or connection box.
5. This appliance can be used by children aged from 8 years and above and persons with reduced physical, sensory or mental capabilities or lack of experience and knowledge if they have been given supervision or instruction concerning use of the appliance in a safe way and understand the hazards involved. Children shall not play with the appliance. Cleaning and user maintenance shall not be made by Children without supervision.
6. Children of less than 3 years should be kept away unless continuously supervised. Children aged from 3 years and less than 8 years shall only switch on/off the appliance provided that it has been placed or installed in its intended normal operating position and they have been given supervision or instruction concerning use of the appliance in a safe way and understanding the hazards involved. Children aged from 3 years and less than 8 years shall not plug in, regulate and clean the appliance or perform user maintenance.
7. Do not use this appliance in series with a thermal control, a program controller, a timer or any other device that switches on the heat automatically, since a fire risk exists when the appliance is accidentally covered or displaced.
8. This appliance is not equipped with a device to control the room temperature. Do not use this appliance in small rooms when they are occupied by persons not capable of leaving the room on their own, un-


IMPORTANT SAFETY INSTRUCTIONS


less constant supervision is provided.

9. Ensure that furniture, curtains or other combustible material are positioned no closer than 1 metre from the appliance.
10. In the event of a fault unplug the appliance.
11. Unplug the appliance when not required for long periods.
12. Although this appliance complies with safety standards, we do not recommend its use on deep pile carpets or on long hair type of rugs.
13. The appliance must be positioned so that the plug is accessible.
14. If the supply cord is damaged it must be replaced by the manufacturer or service agent or a similarly qualified person in order to avoid a hazard.
15. Keep the supply cord away from the front of the appliance.

 **WARNING:** In order to avoid overheating, do not cover the appliance. Do not place material or garments on the appliance, or obstruct the air circulation around the appliance, for instance by curtains or furniture, as this could cause overheating and a fire risk.

 **WARNING:** In order to avoid a hazard due to inadvertent resetting of the thermal cut-out, this appliance must not be supplied through an external switching device, such as a timer, or connected to a circuit that is regularly switched on and off by the utility.

 **CAUTION:** Some parts of this product can become very hot and cause burns. Particular attention has to be given where children and vulnerable people are present.

The heater carries the Warning Symbol  indicating that it must not be covered

SAVE THESE INSTRUCTIONS



Quick Reference Guide

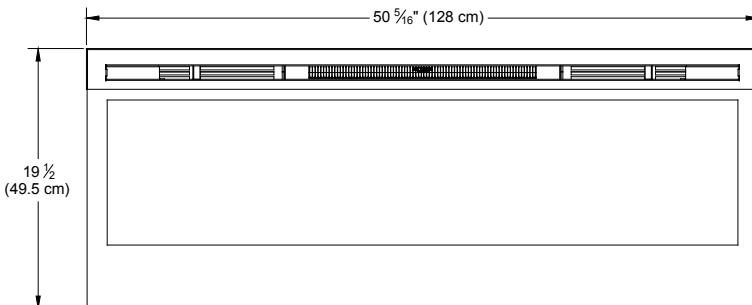
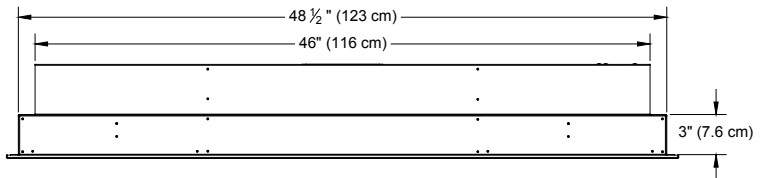
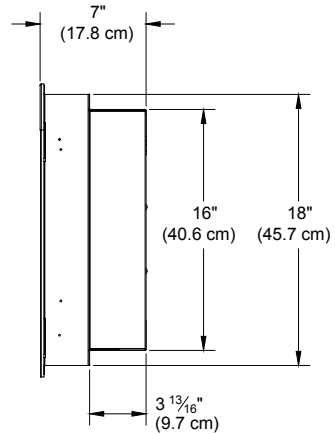
① The electrical information regarding your electric fireplace can be found on the rating label located on the front of the unit, behind the glass.

Before installation, please record your fireplace's serial number below for future reference.

② If you have any technical questions or concerns regarding the operation of your electric fireplace, or require service contact customer service.

③ For dimensions of your fireplace, refer to Figure 1.

Figure 1





Fireplace Installation

Site Selection

Review and consider all of the following conditions for installation:

- Dimensions of the unit: 128cm x 49.5cm
- Unit requires a minimum of two (2) wall studs in order to ensure a secure installation

Three possible installation methods:

- Installation method: Surface mount; In-wall Recessed; or Flush mount
- Hardwired or plug-in method

⚠ WARNING: Ensure the power cord is not installed so that it is pinched or against a sharp edge and ensure that the power cord is stored or secured to avoid tripping or snagging to reduce the risk of fire, electric shock or injury to persons.

Construction and electrical outlet wiring must comply with local building codes and other applicable regulations to reduce the risk of fire, electric shock and injury to persons.

1. Select a location that is not susceptible to moisture and is away from drapes, furniture and high traffic.

2. For ease of electrical hook up you may wish to locate the fireplace near an existing outlet (for plug-in convenience).

! NOTE 1: A 13 Amp, 230 Volt circuit is required. A dedicated circuit is preferred but not essential in all cases. A dedicated circuit will be required if, after installation, the circuit breaker trips or fuse blows on a regular basis when the heater is operating. Additional appliances on the same circuit may exceed the current rating of the circuit breaker.

3. Remove fireplace, front glass and hardware from box and remove all packaging materials before installation.
4. Store the fireplace in a safe, dry and dust free location until you are ready to install the fireplace.

Fireplace Installation

The fireplace is packaged with a three prong plug installed for plug-in convenience. Hard wiring the fireplace is also an option by removing the plug from the factory fitted cord and completing the wiring according to National and Local Electrical Codes.

⚠ WARNING: Do not attempt to wire your own new outlets or circuits. To reduce the risk of fire, electric shock or injury to persons, always use a licensed electrician.

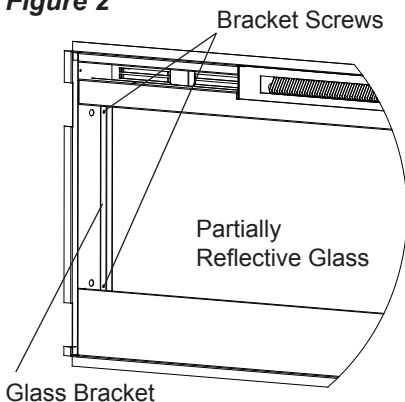
⚠ WARNING: Ensure that the 3-Position Switch is set to the Off position ("O") and that the circuit on which the fireplace is to be installed has the power cut off at the service panel until installation is complete.

Surface Installation

⚠ CAUTION: Two people may be required for various steps of this procedure.

1. Choose a location for mounting the unit.
2. Choose your method of supplying power to the unit:
 - Plug in to an existing outlet or install an outlet nearby.
 - Hard wire the fireplace.

Figure 2



! NOTE: Hard wiring can be done by removing the plug from the factory fitted cord and completing the wiring according to National and Local Electrical Codes.

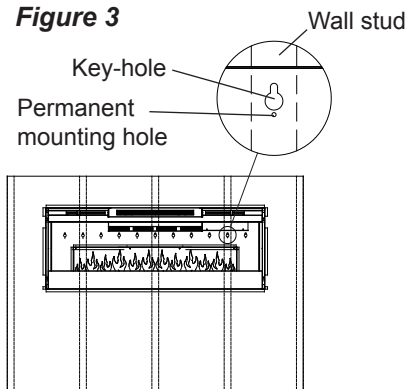
⚠ WARNING: Do not attempt to wire your own new outlets or circuits. To reduce the risk of fire, electric shock or injury to persons, always use a licensed electrician.

Ensure that the 3-Position Switch is set to the Off position ("O") and that the circuit on which the fireplace is to be installed has the power cut off at the service panel until installation is complete.

3. Remove the partially reflective glass from the fireplace:

Fireplace Installation

Figure 3



- Lay fireplace on its back.
 - Remove two (2) Phillips screws from each of the two (2) glass brackets (Figure 2).
 - Remove glass brackets.
 - With one hand keeping pressure on the partially reflective glass, tilt the fireplace upright and slightly forward to allow the partially reflective glass to fall out of the inside framing.
 - Remove partially reflective glass from fireplace.
4. Position the fireplace on a wall at the position where it will be mounted (Figure 3). Use a bubble level (one is supplied) to ensure that fireplace is level on the wall.
 5. Mark the location of four (4) screw locations on the wall (through key-holes).
- ⚠ CAUTION:** If installing unit on a wall that is constructed of drywall ensure that appropriate wall anchors are used and at least one is located into a stud.
6. Remove fireplace from wall and store in a safe place away from traffic.
 7. Screw all four (4) supplied #8, 3.8 cm square head mounting screws and washers into the wall and/or wall anchors leaving 6.5 mm of thread.
 8. Align chosen key-holes with screws and hang fireplace on the wall. Screw heads and washers will fit through key-holes and fireplace will slide down into place (screws will slide into narrow part of key-holes).
 9. Tighten all four (4) mounting screws down on fireplace chassis.
 10. Screw the two (2) supplied #8 square head screws through two of the permanent mounting holes which align with a wall stud.
 11. Carefully replace and install

Fireplace Installation

partially reflective glass and glass brackets using screws from step 1.

12. Refer to Front Glass Installation section, for final installation procedures.

In-wall Recessed Installation - 100mm Deep

⚠ CAUTION: Two people may be required for various steps of this procedure.

1. Prepare a wall with a framed opening of 118.1 cm wide x 42 cm high (Figure 4).

! NOTE: The sizing has allowed for 6.4mm around the fireplace insert for ease of installation. This fireplace does not require any additional venting.

2. Choose your method of supplying power to the unit:
 - Plug in (you may run the power cord out of the framed wall opening to an existing outlet or install an outlet on a nearby wall stud within the wall).
 - Hard wire the fireplace.

! NOTE: Hard wiring can be done by removing the plug from the factory fitted cord and

Figure 4

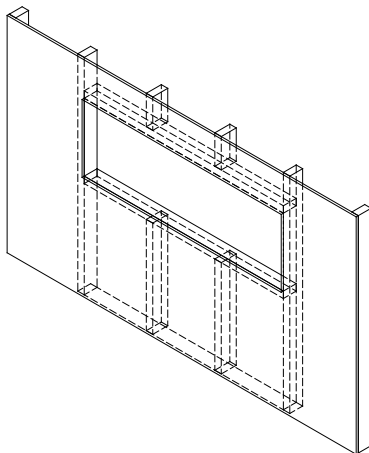
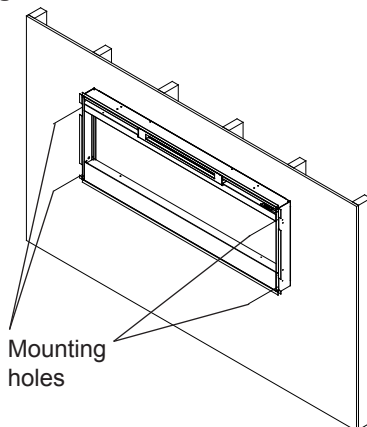
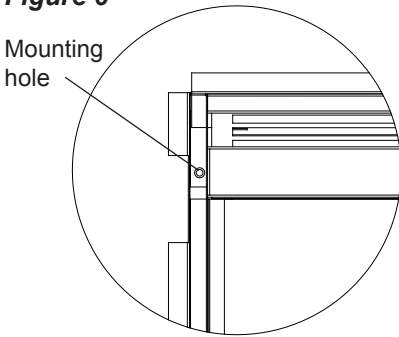


Figure 5



Fireplace Installation

Figure 6



completing the wiring according to National and Local Electrical Codes.

⚠ WARNING: Do not attempt to wire your own new outlets or circuits. To reduce the risk of fire, electric shock or injury to persons, always use a licensed electrician.

Ensure that the 3-Position Switch is set to the Off position ("O") and that the circuit on which the fireplace is to be installed has the power cut off at the service panel until installation is complete.

3. Lift fireplace and insert into opening (Figure 5).
4. Use bubble level (supplied) to level the fireplace within the framing. Adjust as required.
5. Drive four (4) supplied mounting screws through the four (4) mounting holes

located in each corner of the fireplace chassis, into wall studs (Figure 6).

6. Refer to Front Glass Installation section, for final installation procedures.

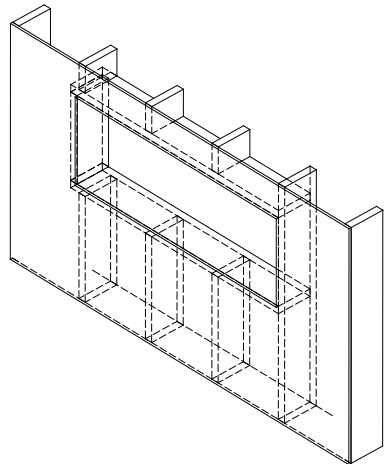
Flush Mounted Installation - 200mm Deep

⚠ CAUTION: Two people may be required for various steps of this procedure.

1. Prepare a wall with a framed opening of 124.5 cm wide x 47 cm high (Figure 7).

! NOTE: The sizing has allowed for 6.4mm around the fireplace

Figure 7



Fireplace Installation

insert for ease of installation. This fireplace does not require any additional venting.

2. Choose your method of supplying power to the unit:
 - Plug in (you may run the power cord out of the framed wall opening to an existing outlet or install an outlet on a nearby wall stud within the wall).
 - Hard wire the fireplace.

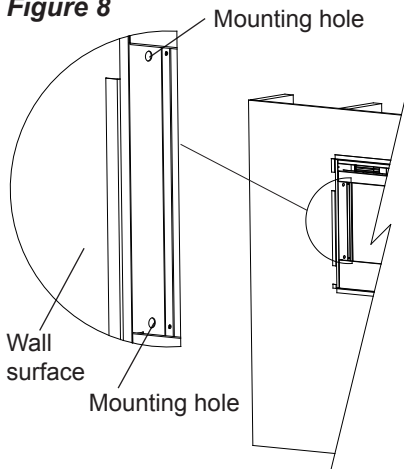
! NOTE: Hard wiring can be done by removing the plug from the factory fitted cord and completing the wiring according to National and Local Electrical Codes.

⚠ WARNING: Do not attempt to wire your own new outlets or circuits. To reduce the risk of fire, electric shock or injury to persons, always use a licensed electrician.

Ensure that the 3-Position Switch is set to the Off position ("O") and that the circuit on which the fireplace is to be installed has the power cut off at the service panel until installation is complete.

3. Lift fireplace and insert into opening. The fireplace's mounting trim should be flush against the wall (Figure 8).

Figure 8



4. Use bubble level (supplied) to level the fireplace within the framing. Adjust as required.
5. Drive four (4) supplied mounting screws through the four (4) mounting holes located on the inside surface of the fireplace chassis, into wall studs (Figure 8).
6. Refer to Front Glass Installation section, for final installation procedures.

Front Glass Installation

1. Evenly distribute supplied glass rock on the front tray of the fireplace (Figure 9).
2. Carefully mount front glass assembly so that the front

Fireplace Installation

Figure 9

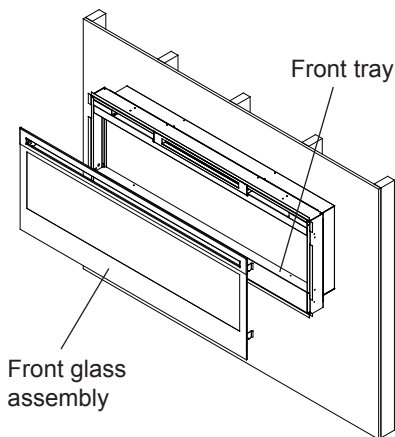
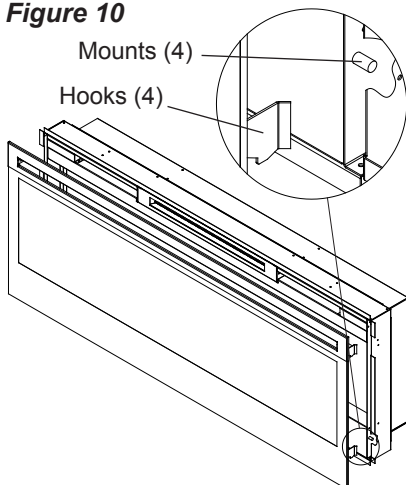


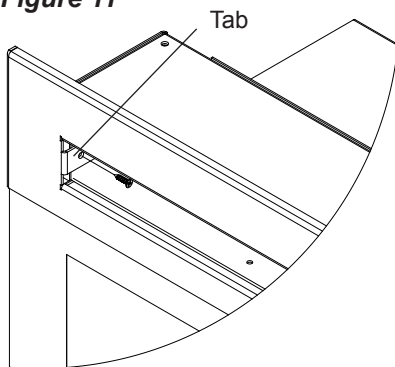
Figure 10



glass hooks (4) hang on the front glass mounts on the fireplace (4) (Figure 10).

3. Use the supplied two (2) Phillips sheet metal screws to fasten the glass assembly tabs to the fireplace (Figure 11).
4. Ensure the fireplace's 3-Position Switch is switched to the Off position ("O").
5. If unit is not hard-wired, plug fireplace into a 13 Amp, 230 Volt outlet (refer to NOTE 1).

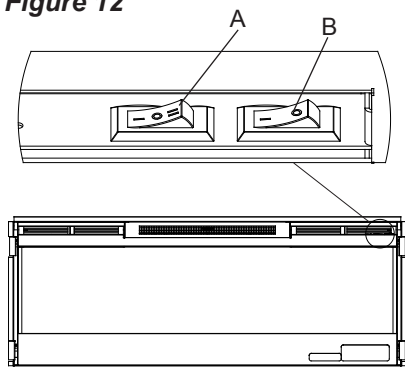
Figure 11



Operation

The manual controls for the electric fireplace are located on the right side of the unit and inside the air intake slot (Figure 12).

Figure 12



A. 3-Position Switch

The switch has two (2) On positions marked with “I” and “II”. The “I” position is for manual operation. In this position the built-in remote control is bypassed.

The “II” position is for operating the unit with the provided remote control. When in “II” position the unit is operated with the ON and OFF buttons of the remote control.

When the switch is in the center (“O”) position the unit is off.

B. Heat On/Off Switch

The Heat On/Off Switch supplies power to the heater fan and the heater element.

Resetting the Temperature Cutoff Switch

Should the heater overheat, an automatic cut out will turn the fireplace off and it will not come back on without being reset. It can be reset by switching the 3-Position Switch to Off and waiting five (5) minutes before switching the unit back on.

⚠ CAUTION: If you need to continuously reset the heater, disconnect power and contact your local dealer.

Remote Control (Figure 13)

The fireplace is supplied with an integrated on/off remote control. Where the maximum range of use is ~15m.

⚠ WARNING: It takes time for the receiver to respond to the remote control. Do not press the buttons more than once within two seconds for correct operation.

! NOTE: Ensure that the fireplace 3-Position Switch is set to the remote control setting (“II”).

Operation

Figure 13



To operate, push the ON button to turn fireplace on, push the OFF button to turn the fireplace off.

Battery Replacement

To replace the battery:

1. Slide battery cover open on the back of the remote control.
2. Install AAA batteries into the remote control.
3. Replace the battery cover.

Discard leaky batteries. Dispose of batteries in the proper manner according to provincial and local regulations. Any battery may leak electrolyte if mixed with a different battery type, if inserted incorrectly, if all the batteries are not replaced at the same time, if disposed of in a fire, or if an attempt is made to charge a battery not intended to be recharged.



Maintenance

⚠ WARNING: Disconnect power before attempting any maintenance or cleaning to reduce the risk of fire, electric shock or damage to persons.

Partially Reflective Glass Cleaning

The partially reflective glass is cleaned in the factory during the assembly operation. During shipment, installation, handling, etc., the partially reflective glass may collect dust particles; these can be removed by dusting lightly with a clean dry cloth.

To remove fingerprints or other marks, the partially reflective glass can be cleaned with a damp cloth. The partially reflective glass

should be completely dried with a lint free cloth to prevent water spots. To prevent scratching, do not use abrasive cleaners.

Fireplace Surface Cleaning

Use only a damp cloth to clean painted surfaces of the fireplace. Do not use abrasive cleaners.

Servicing

Except for installation and cleaning described in this manual, an authorized service representative should perform any other servicing.



Warranty

Dimplex Electric Fireplaces are tested and inspected prior to shipment and are guaranteed from defect to the purchaser of each new product. Any part which proves to be defective in material or workmanship under normal use within one year will be repaired or replaced without charge.* The Company will not be responsible for any expense incurred for installation, removal for service, or transportation costs. Any such defect should be brought to the attention of the Dealer where the product was purchased and is authorized to repair or replace within the terms of this warranty.

The Company's only obligation under this warranty will be at its sole option to repair or replace any part proving defective or to refund the purchase price thereof.

The owner/user assumes all other risks, if any, including the risk of any direct, indirect or consequential loss or damage arising out of the use of or inability to use the product.

The warranty will not apply if, in the sole judgment of the Company, damage or failure has resulted from accident, alteration, misuse, abuse, incorrect installation, or operation on an incorrect power source.

The foregoing is in lieu of all other warranties expressed, implied, or statutory, and the Company neither assumes, nor authorizes any

person to assume for it any other obligation, or liability in connection with said product.

*Light bulbs are not covered in the warranty.

Service


Contact your local dealer for service or warranty information.

Recycling

For electrical products sold in the European Community. At the end of the electrical product's useful life it should not be disposed of with











household waste. Please recycle where facilities exist. Check with your Local Authority or retailer for recycling advice in your country.

 The product complies with the European Safety Standard EN60335-2-30 and the European Standard for Electromagnetic Compatibility (EMC) EN55014, EN61000 and EN50366 which cover the essential requirements of EEC Directives 2006/95 and 2004/108.



Содержание

	Приветствие и поздравления	19
	ВАЖНЫЕ ИНСТРУКЦИИ ПО БЕЗОПАСНОСТИ	20
	ВАЖНЫЕ ИНСТРУКЦИИ ПО БЕЗОПАСНОСТИ	21
	Краткое руководство	22
	Установка камина	23
	Выбор места	23
	Поверхность Монтаж	24
	Установка в углубление стены - глубина 100 мм	26
	Установка заподлицо Установка - глубина 200 мм	27
	Установка переднего стекла	28
	Работа	30
	Техническое обслуживание	32
	Гарантия	33

Всегда пользуйтесь услугами квалифицированного техника или сервисного агента для ремонта камина.

! ПРИМЕЧАНИЕ: Процедуры и методы, которые считаются достаточно важными, чтобы подчеркнуть их.

! ОСТОРОЖНО: Процедуры и методы, не соблюдение которых в точности приведет к повреждению оборудования.

! ПРЕДУПРЕЖДЕНИЕ: Процедуры и методы, не соблюдение которых в точности подвергнет пользователя риску пожара, серьезной травмы или смерти.

Приветствие и поздравления

Благодарим вас и поздравляем с приобретением электрического камина производства Dimplex, мирового лидера в области электрических каминов.

Внимательно прочитайте и сохраните эту инструкцию.

⚠ ОСТОРОЖНО: Перед началом установки внимательно прочитайте все инструкции и предупреждения. Невыполнение этих инструкций может привести к поражению электрическим током, пожару и аннулированию гарантии.

Впишите ниже название модели и серийный номер для последующего обращения: название модели и серийный номер указаны на идентификационной наклейке вашего камина.



**НЕ ТРЕБУЕТСЯ
ВОЗВРАЩАТЬ В МАГАЗИН**

Есть вопросы по сборке?

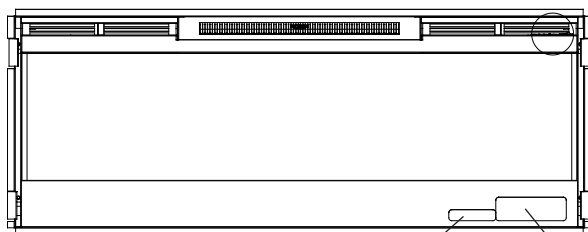
Требуется информация по деталям?

Изделие на гарантии изготовителя?



**Позвоните местному
торговому агенту**

Укажите номер модели и серийный номер изделия.
(Смотрите ниже)



Наклейка с серийным номером

Наклейка с техническими данными



ВАЖНЫЕ ИНСТРУКЦИИ ПО БЕЗОПАСНОСТИ

Прочитайте все инструкции перед использованием электроприбора.

При использовании электрических приборов необходимо соблюдать основные меры предосторожности для снижения риска пожара, поражения электрическим током и травм людей, в том числе:

1. В случае повреждения прибора проверьте его у поставщика перед установкой и эксплуатацией.
2. Не используйте вне помещения.
3. Не используйте вблизи ванны, душа или плавательного бассейна.
4. Не устанавливайте прибор непосредственно под стационарной розеткой или присоединительной коробкой.
5. Этот прибор может использоваться детьми в возрасте не младше 8 лет и людьми с ограниченными физическими, сенсорными или умственными способностями, или не обладающими опытом и знаниями, при условии, что за ними есть надзор, либо они проинструктированы, как безопасно пользоваться прибором, и понимают сопутствующие опасности. Дети не должны играть с прибором. Дети без надзора взрослых не должны выполнять очистку и техническое обслуживание прибора.
6. Дети младше 3 лет, если за ними нет постоянного надзора, должны находиться подальше от прибора. Дети в возрасте от 3 до 8 лет могут включать и выключать прибор только при условии, что он помещен или установлен на предназначенное рабочее место, и за детьми есть присмотр, либо они проинструктированы, как безопасно пользоваться прибором, и понимают сопутствующие опасности. Детям в возрасте от 3 до 8 лет запрещается включать в сеть, регулировать и чистить прибор, или выполнять техническое обслуживание.
7. Не используйте прибор в последовательном подключении с терморегулятором, программируемым контроллером, таймером или иным устройством, которое автоматически включает обогрев, поскольку существует риск пожара в случае случайного накрытия или перемещения прибора.
8. Прибор не оборудован устройством для контроля температуры в помещении. Не используйте этот прибор в маленьких помещениях, если в них находятся люди, не способные самостоятельно покинуть помещение, если не обеспечен постоянный присмотр.
9. Убедитесь, что мебель, шторы или другие горючие материалы находятся на расстоянии не менее 1 метра от прибора.



ВАЖНЫЕ ИНСТРУКЦИИ ПО БЕЗОПАСНОСТИ

10. В случае неполадки отключите прибор от электрической сети.
11. Если прибор не используется длительное время, отключите его от электрической сети.
12. Хотя этот прибор соответствует стандартам безопасности, мы не рекомендуем использовать его на коврах с высоким ворсом или на длинноворсовом покрытии.
13. Прибор должен быть установлен так, чтобы обеспечить доступ к вилке.
14. Во избежание опасности, в случае повреждения шнура питания его должен заменять изготовитель, сервисный агент или другой квалифицированный специалист.
15. Следите за тем, чтобы шнур питания не находился перед прибором.




ПРЕДУПРЕЖДЕНИЕ: Во избежание перегрева не накрывайте прибор. Не кладите вещи или одежду на прибор, не загораживайте циркуляцию воздуха вокруг прибора, например, шторами или мебелью, это может привести к перегреву и создать риск пожара.



ПРЕДУПРЕЖДЕНИЕ: Во избежание опасности самопроизвольного срабатывания теплового выключателя, нельзя запитывать этот прибор через внешнее переключающее устройство, например, таймер, или подключать к цепи, которая регулярно включается и выключается энергокомпанией.



ОСТОРОЖНО: Некоторые части этого изделия могут сильно нагреваться и причинять ожоги. Особенное внимание требуется там, где присутствуют дети и уязвимые люди.

На нагревателе имеется предупреждающий знак,  показывающий, что его нельзя накрывать

СОХРАНИТЕ ЭТИ ИНСТРУКЦИИ



Краткое руководство

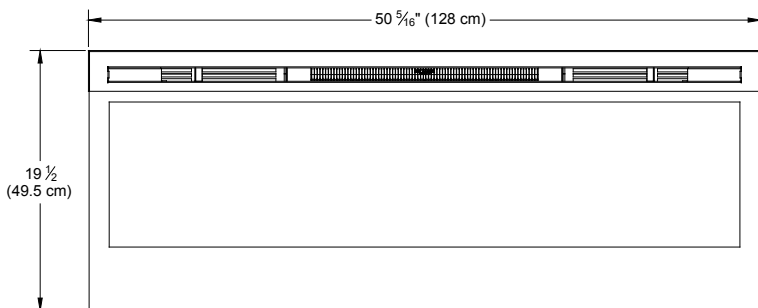
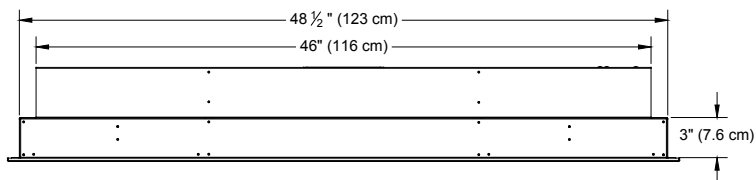
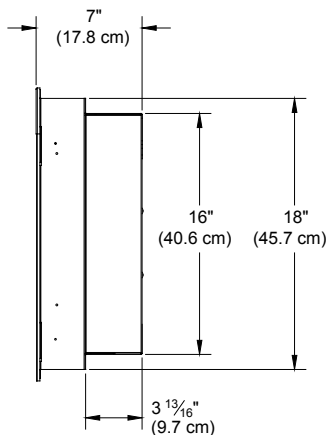
① Электрические данные, относящиеся к вашему электрическому камину, можно найти на идентификационной табличке, расположенной на передней части прибора, позади стекла.

Перед установкой запишите ниже серийный номер камина для последующего обращения.

② Если у вас есть какие-либо технические вопросы или замечания по эксплуатации электрического камина, или вам требуется обслуживание, обращайтесь в службу поддержки клиентов.

③ Размеры камина показаны на Рисунке 1.

Рисунок 1





Установка камина

Выбор места

При установке проанализируйте и учтите все перечисленные ниже условия:

- Габариты агрегата: 128 см × 49,5 см
- Чтобы обеспечить надежную установку устройства, требуется, как минимум, две (2) стойки каркаса стены

Три возможных метода установки:

- Метод установки: Крепление к поверхности; в углубление стены; установка заподлицо
- Метод установки с неразъемным соединением или со штепселем

⚠ ПРЕДУПРЕЖДЕНИЕ: При подсоединении шнура питания следите за тем, чтобы он не пережимался и не касался острых кромок, и уберите или закрепите его так, чтобы исключить опасность споткнуться или зацепиться за шнур, во избежание опасности пожара, поражения электрическим током и травм людей.

Конструкция и проводка электрической розетки должны соответствовать местным строительным нормам и другим применимым нормативам, во избежание опасности пожара, поражения электрическим током и травм людей.

1. Место установки следует выбирать так, чтобы оно было защищено от влаги и находилось вдалеке от драпировок, мебели и проходов.

2. Для упрощения электрических подключений можно расположить камин рядом с имеющейся розеткой (для удобства включения в сеть).

! ПРИМЕЧАНИЕ 1: Требуется сеть 13 А, 230 В. Лучше, но не обязательно, чтобы это была выделенная цепь. Выделенная цепь потребуется, если после установки происходит регулярное срабатывание автоматического выключателя или перегорание предохранителя во время работы нагревателя. Дополнительные приборы в этой же цепи могут превышать номинальный ток автоматического выключателя.

3. Извлеките камин, переднее стекло и крепеж из коробки и удалите все упаковочные материалы перед установкой.
4. До установки камина храните его в безопасном, сухом и защищенном от пыли месте.

Камин укомплектован штепсельной вилкой с тремя контактами для удобства включения в сеть. Также можно подсоединить камин напрямую, сняв вилку с установленного на заводе шнура и выполнив подключение проводки в соответствии с государственными и местными электротехническими нормами.

Установка камина

⚠ ПРЕДУПРЕЖДЕНИЕ: Не пытайтесь самостоятельно устанавливать новые розетки или цепи. Во избежание опасности пожара, поражения электрическим током и травм людей всегда пользуйтесь услугами лицензированного электрика.

⚠ ПРЕДУПРЕЖДЕНИЕ: Убедитесь, что 3-позиционный переключатель установлен в выключенное («О») положение, и что ток в цепи, к которой подключается камин, отключен на электрощите на время выполнения монтажа.

Поверхность Монтаж

⚠ ОСТОРОЖНО: Некоторые этапы процедуры могут требовать выполнения двумя людьми.

1. Выберите место для монтажа устройства.
2. Выберите способ подвода питания к устройству:
 - Включение в существующую розетку или установка розетки рядом.
 - Подсоединение камина непосредственно к проводке.

! ПРИМЕЧАНИЕ: Для подсоединения камина непосредственно к проводке снимите вилку с установленного на заводе шнура и выполните подключение проводки в соответствии с государственными и местными электротехническими нормами.

Рисунок 2

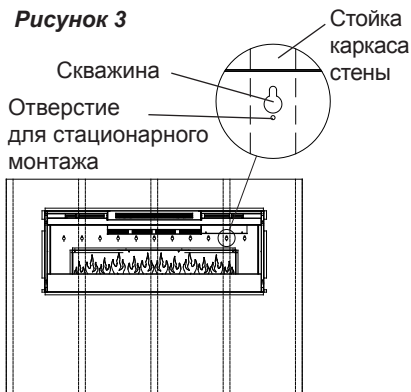


⚠ ПРЕДУПРЕЖДЕНИЕ: Не пытайтесь самостоятельно устанавливать новые розетки или цепи. Во избежание опасности пожара, поражения электрическим током и травм людей всегда пользуйтесь услугами лицензированного электрика.

Убедитесь, что 3-позиционный переключатель установлен в выключенное («О») положение, и что ток в цепи, к которой подключается камин, отключен на электрощите на время выполнения монтажа.

3. Снимите частично отражающее стекло с камина:
 - Положите камин лицом вверх.
 - Выкрутите два (2) финта Phillips из каждого из двух (2) кронштейнов стекла (Рисунок 2).

Рисунок 3



- Снимите кронштейны стекла.
 - Прижимая частично отражающее стекло одной рукой, поставьте камин вертикально и слегка наклоните вперед, чтобы частично отражающее стекло выпало из внутренней рамы.
 - Уберите частично отражающее стекло от камина.
4. Поместите камин на стену в том положении, в каком он будет крепиться (Рисунок 3). С помощью пузырькового уровня (входит в комплект) проверьте горизонтальность камина на стене.
 5. Отметьте места для четырех (4) винтов на стене (через скважины).

⚠ ОСТОРОЖНО: При установке прибора на стену из гипсокартона обязательно используйте

соответствующие стеновые анкеры, при этом, как минимум, один анкер должен располагаться в стойке.

6. Снимите камин со стены и уберите в безопасное место подальше от прохода.
7. Вкрутите все четыре (4) комплекта крепежных винта с квадратной головкой #8, 3,8 см с шайбами в стену и/или стеновые анкеры, оставив 6,5 мм резьбы.
8. Совместите выбранные скважины с винтами и навесьте камин на стену. Головки винтов с шайбами проходят через скважины, и камин садится на место (винты входят в узкую часть скважины).
9. Затяните все четыре (4) крепежных винта на шасси камина.
10. Вкрутите два (2) комплекта крепежных винта с квадратной головкой #8 в те два отверстия для стационарного монтажа, которые совмещаются со стойкой каркаса стены.
11. Аккуратно поставьте на место и закрепите частично отражающее стекло и кронштейны стекла с помощью винтов из шага 1.
12. Процедуры окончательной установки смотрите в разделе «Установка переднего стекла».

Установка в углубление стены - глубина 100 мм

⚠ ОСТОРОЖНО: Некоторые этапы процедуры могут требовать выполнения двумя людьми.

1. Подготовьте стену с обрамленным проемом шириной 118,1 см и высотой 42 см (Рисунок 4).

! ПРИМЕЧАНИЕ: Размер с припуском 6,4 мм по периметру вставленного камина для удобства установки. Этому камину не требуется дополнительная вентиляция.

2. Выберите способ подвода питания к устройству:
 - Включение в розетку (можно вывести шнур питания из обрамленного проема в стене к существующей розетке или установить розетку на ближайшей стойке каркаса внутри стены).
 - Подсоединение камина непосредственно к проводке.

! ПРИМЕЧАНИЕ: Для подсоединения камина непосредственно к проводке снимите вилку с установленного на заводе шнура и выполните подключение проводки в соответствии с государственными и местными электротехническими нормами.

Рисунок 4

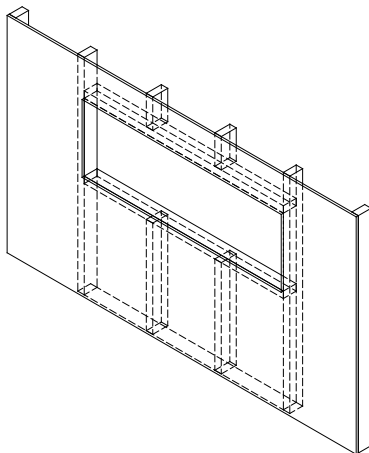


Рисунок 5

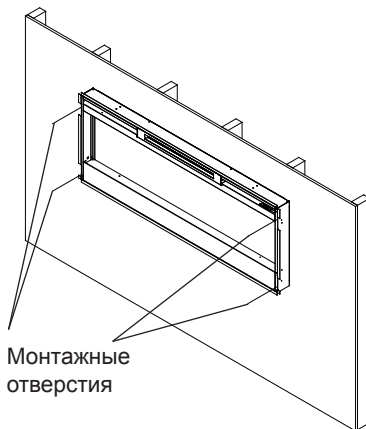
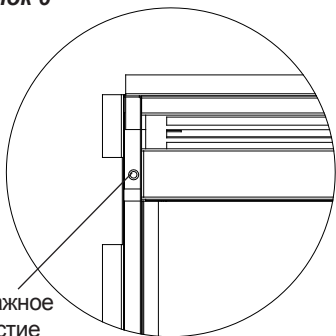


Рисунок 6



Монтажное отверстие

ПРЕДУПРЕЖДЕНИЕ:

Не пытайтесь самостоятельно устанавливать новые розетки или цепи. Во избежание опасности пожара, поражения электрическим током и травм людей всегда пользуйтесь услугами лицензированного электрика.


Убедитесь, что 3-позиционный переключатель установлен в выключенное («О») положение, и что ток в цепи, к которой подключается камин, отключен на электрощитке на время выполнения монтажа.

3. Поднимите камин и вставьте в проем (Рисунок 5).
4. С помощью пузырькового уровня (входит в комплект) проверьте горизонтальность камина внутри рамы. При необходимости отрегулируйте.
5. Вкрутите четыре (4) комплектных крепежных винта в четыре (4) монтажные отверстия, расположенные по углам шасси

камина, в стойки каркаса стены (Рисунок 6).

6. Процедуры окончательной установки смотрите в разделе «Установка переднего стекла».

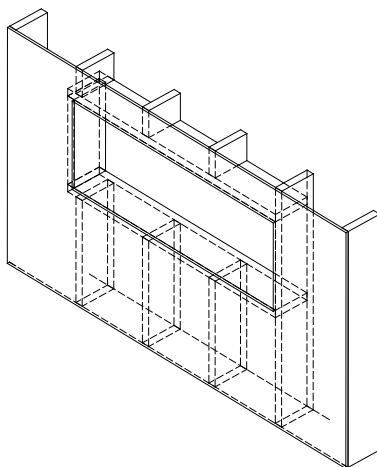
Установка заподлицо Установка - глубина 200 мм

 **ОСТОРОЖНО:** Некоторые этапы процедуры могут требовать выполнения двумя людьми.

1. Подготовьте стену с обрамленным проемом шириной 124,5 см и высотой 47 см (Рисунок 7).

! ПРИМЕЧАНИЕ: Размер с припуском 6,4 мм по периметру вставленного камина для удобства установки. Этому камину не требуется дополнительная вентиляция.

Рисунок 7



- Выберите способ подвода питания к устройству:
 - Включение в розетку (можно вывести шнур питания из обрамленного проема в стене к существующей розетке или установить розетку на ближайшей стойке каркаса внутри стены).
 - Подсоединение камина непосредственно к проводке.

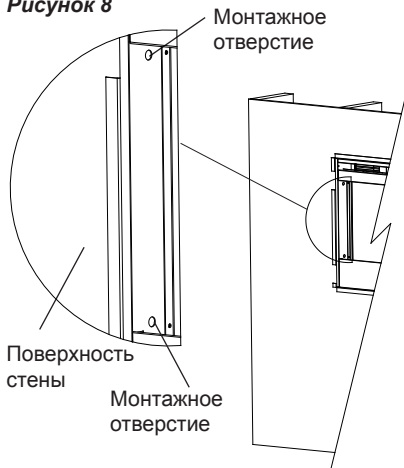
! ПРИМЕЧАНИЕ: Для подсоединения камина непосредственно к проводке снимите вилку с установленного на заводе шнура и выполните подключение проводки в соответствии с государственными и местными электротехническими нормами.

⚠ ПРЕДУПРЕЖДЕНИЕ: Не пытайтесь самостоятельно устанавливать новые розетки или цепи. Во избежание опасности пожара, поражения электрическим током и травм людей всегда пользуйтесь услугами лицензированного электрика.

Убедитесь, что 3-позиционный переключатель установлен в выключенное («О») положение, и что ток в цепи, к которой подключается камин, отключен на электрошите на время выполнения монтажа.

- Поднимите камин и вставьте в проем. Монтажная панель камина должна быть заподлицо со стеной (Рисунок 8).

Рисунок 8



- С помощью пузырькового уровня (входит в комплект) проверьте горизонтальность камина внутри рамы. При необходимости отрегулируйте.
- Вкрутите четыре (4) комплектных крепежных винта в четыре (4) монтажные отверстия, расположенные на внутренней поверхности шасси камина, в стойки каркаса стены (Рисунок 8).
- Процедуры окончательной установки смотрите в разделе «Установка переднего стекла».

Установка переднего стекла

- Равномерно распределите входящий в комплект поставки стеклянный гравий на переднем лотке камина (Рисунок 9).

Установка камина

Рисунок 9

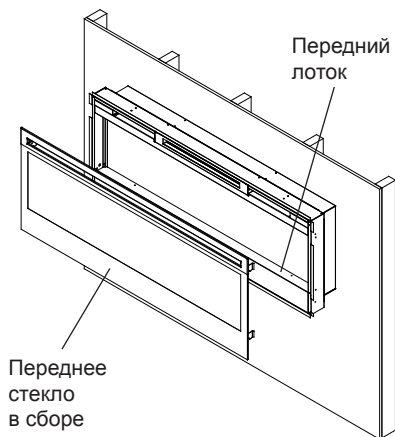
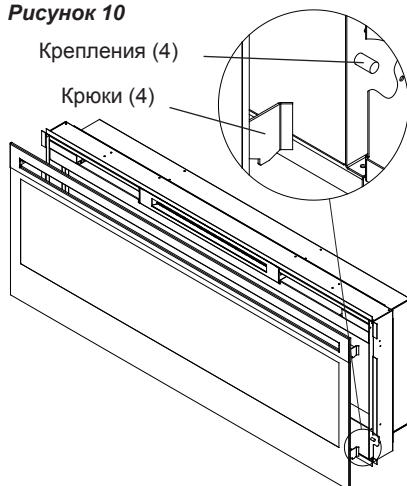
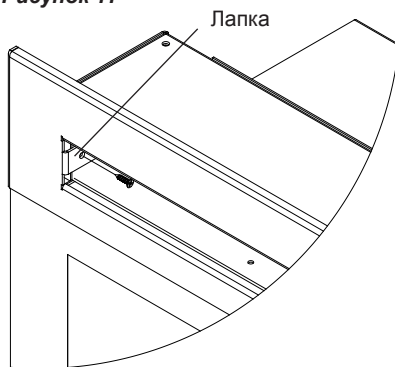


Рисунок 10



2. Аккуратно закрепите переднее стекло в сборе, чтобы крючки переднего стекла (4) зацепились за крепления переднего стекла на камине (4) (Рисунок 10).
3. С помощью двух (2) комплектов винтов для листового металла Phillips закрепите лапки блока стекла к камину (Рисунок 11).
4. Убедитесь, что 3-позиционный переключатель камина установлен в выключенное («О») положение.
5. Если прибор не подсоединяется к проводке, вставьте вилку камина в розетку сети 13 А, 230 В (см. ПРИМЕЧАНИЕ 1).

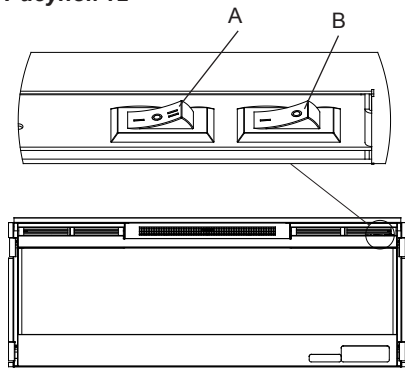
Рисунок 11



Работа

Органы ручного управления электрическим камином расположены на правой стороне прибора и внутри щели воздухозаборника (Рисунок 12).

Рисунок 12



A. 3-позиционный переключатель

Переключатель имеет два (2) включенных положения, обозначенных «I» и «II». Положение «I» предназначено для ручного управления. В этом положении встроенное дистанционное управление шунтируется.

Положение «II», предназначено для управления прибором с помощью предусмотренного пульта дистанционного управления. В положении «II» прибор управляется кнопками ВКЛ и ВЫКЛ на пульте дистанционного управления.

Когда переключатель стоит в среднем («O») положении, прибор выключен.

B. Переключатель включения/выключения нагрева

Переключатель включения/выключения нагрева включает подачу питания к вентилятору нагревателя и нагревательному элементу.

Сброс температурного предохранителя

В случае перегрева нагревателя автоматический предохранитель отключает камин, и для возобновления работы необходимо вернуть его в исходное состояние (сбросить). Для сброса предохранителя переведите 3-позиционный переключатель в выключенное положение и выждите пять (5) минут, прежде чем снова включать прибор.

⚠ ОСТОРОЖНО: Если приходится постоянно сбрасывать нагреватель, отключите питание и свяжитесь с местным торговым агентом.

Дистанционное управление (Рисунок 13)

Камин поставляется с встроенным дистанционным управлением включением/выключением.

Максимальный радиус действия ~15 м.

⚠ ПРЕДУПРЕЖДЕНИЕ:

Приемнику требуется время, чтобы отреагировать на сигнал пульта дистанционного управления. Для правильной работы не нажимайте кнопку чаще одного раза в течение двух секунд.

Работа

! ПРИМЕЧАНИЕ: Убедитесь, что 3-позиционный переключатель камина установлен в положение дистанционного управления («II»).

Нажимайте кнопку ВКЛ для включения камина и кнопку ВЫКЛ для выключения камина.

разного типа, в случае неправильно вставленной батареи, в случае не одновременной замены всех батарей, под действием огня или при попытке зарядить батарею, не рассчитанную на повторную зарядку.

Рисунок 13



Замена батарей

Для замены батарей:

1. Чтобы открыть отсек, сдвиньте крышку с тыльной стороны пульта дистанционного управления.
2. Вставьте батареи AAA в пульт дистанционного управления.
3. Поставьте на место крышку отсека батарей.

Удаляйте потекшие батареи.

Утилизируйте батареи надлежащим образом в соответствии с государственными и местными правилами. Утечка электролита из батареи возможна в случае совместной установки батарей



Техническое обслуживание

⚠ ПРЕДУПРЕЖДЕНИЕ: Во избежание опасности пожара, поражения электрическим током и травм людей отключите питание перед проведением обслуживания или очистки.

Очистка частично отражающего стекла

Частично отражающее стекло очищается на заводе при сборке. Во время транспортировки, установки, перемещения, и т.п., на частично отражающем стекле может собираться пыль, ее можно удалить, осторожно протерев стекло чистой сухой тканью.

Для удаления отпечатков пальцев или других пятен можно протереть частично отражающее стекло влажной тканью. Во избежание пятен от воды частично отражающее стекло следует полностью высушить с помощью ткани без ворса. Во избежание царапин не используйте абразивные чистящие средства.

Очистка поверхности камина

Для очистки окрашенных поверхностей камина используйте только влажную ткань. Не используйте абразивные чистящие средства.

Обслуживание

За исключением установки и очистки, описанных в этом руководстве, официальный сервисный представитель должен выполнять все прочее обслуживание.



Гарантия

Электрические камины Dimplex проходят испытания и проверку перед отгрузкой, и покупателю каждого нового изделия гарантируется отсутствие дефектов в нем. В течение одного года любой компонент, признанный имеющим дефекты материала или изготовления при нормальном использовании, будет бесплатно отремонтирован или заменен.* Компания не несет ответственности за затраты на установку, снятие для обслуживания или транспортировку. О любых таких дефектах следует уведомлять торгового агента в месте приобретения изделия, и они подлежат ремонту или замене в соответствии с условиями гарантии.

Единственным обязательством Компании по этой гарантии является ремонт или замена, на свое усмотрение, любой детали, признанной имеющей дефект, либо возмещение ее стоимости.

Владелец/пользователь принимает все прочие риски, при их наличии, включая риск каких-либо прямых, косвенных или последующих убытков или ущерба вследствие использования или невозможности использования изделия.

Гарантия не распространяется на повреждения или отказы, которые, по мнению Компании, являются результатом аварии, изменения, ненадлежащего использования, эксплуатации с нарушением правил и норм, неправильной установки или работы с неправильным источником питания.

Вышесказанное заменяет собой все прочие гарантии, прямо

выраженные, подразумеваемые или законодательно предусмотренные, и Компания не принимает на себя и не уполномочивает кого бы то ни было принимать от ее имени какие-либо обязательства в связи с указанным изделием.

*Гарантия не распространяется на лампы.

Обслуживание

Информацию об обслуживании или гарантии можно получить у местного торгового агента.

Вторичная переработка

Для электрических изделий, продаваемых в Европейском Сообществе. По окончании срока службы электрического изделия его не следует утилизировать вместе с бытовыми отходами. Пользуйтесь услугами предприятий по вторичной переработке, при наличии. Информацию о возможностях вторичной переработки в вашей стране можно получить у местных властей или оператора розничной торговли.



соответствует
Европейскому стандарту
безопасности

EN60335-2-30 и Европейским
стандартам по электромагнитной
совместимости (EMC) EN55014,
EN61000 и EN50366, охватывающим
основные требования Директив
ЕЭС 2006/95 и 2004/108.